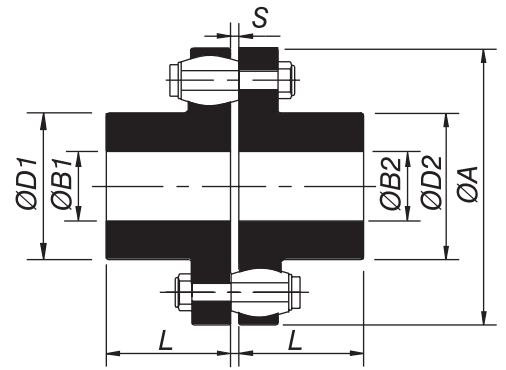
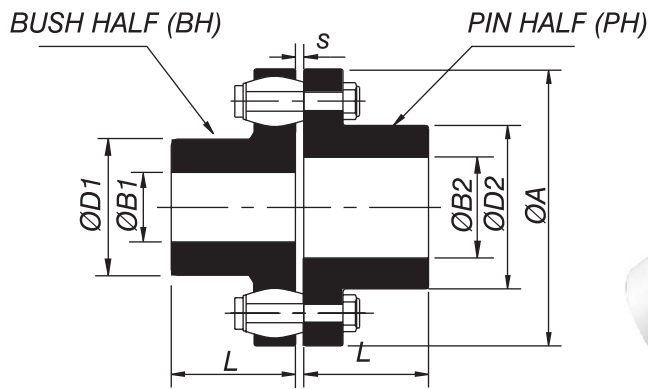




# RB Type Couplings



**UPTO SIZE RB-630**

**FROM SIZE RB-400 ONWARDS**

Coupling Size	KW 100 rpm	Torque mm	Max. Speed rpm	Min Bore	Max. Bore		U	OD1	Bd2	L	S	Wt. in KO.	M.I. (WR) kgm	Max Misalignment ±		
					Ob1	Bb2								Axial (mm)	radial (mm)	Angular
RB-105-3	1.0	95	7200	11	30	32	105	48	50	45	2-6	2	0.0030	2	0.3	1"
RB-116-4	1.5	146	6100	12	39	42	116	60	68	45	2-6	2.6	0.0050	2	0.3	1"
RB-124-4	1.7	166	5500	14	45	50	125	68	78	50	2-6	3.1	0.0070	2	0.4	1"
RB-144-6	3.3	318	4900	18	50	60	144	82	91	55	2-6	4.3	0.012	2	0.4	1"
RB-162-6	5.5	525	4500	22	60	65	162	89	100	60	2-6	7.5	0.030	2	0.4	1"
RB-178-6	6.7	643	3800	24	70	75	178	105	115	70	2-6	10	0.040	2	0.5	1"
RB-198-10	13	1248	3400	28	80	90	198	124	135	80	2-6	13	0.040	2	0.5	1"
RB-228-11	21	2050	3000	28	90	100	228	133	146	90	4-10	18	0.100	3	0.6	1"
RB-252-12	32	3069	2700	38	105	115	252	156	167	100	4-10	24	0.17	3	0.6	1"
RB-285-11	48	4552	2400	48	115	125	285	170	186	110	4-10	35	0.31	3	0.6	1"
RB-320-12	64	6099	2100	55	125	135	320	196	212	125	4-10	51	0.53	3	0.7	1"
RB-360-11	93	8900	1900	65	135	150	360	212	232	140	4-12	73	1.02	4	0.9	1"
RB-400-10	126	12051	1700	75	160	160	410	230	230	160	4-12	101	1.70	4	1.1	1"
RB-450-12	195	18602	1500	85	180	180	450	260	260	180	4-12	137	2.90	4	1.1	0.5"
RB-500-14	270	25802	1350	95	200	200	500	290	290	200	4-12	180	4.70	4	1.1	0.4"
RB-560-10	325	31003	1200	95	225	225	560	320	320	220	4-8	278	10.70	2	1.5	0.3"
RB-630-12	440	41998	1050	100	250	250	63	355	355	240	4-8	365	17.4	2	1.5	0.3"
RB-710-12	785	75000	950	100	260	260	710	385	385	260	5-9	516	33	2	1.8	0.3"
RB-800-14	1047	100000	850	100	280	280	800	420	420	29	5-9	691	53	2	1.8	0.3"
RB-900-16	1623	154998	750	100	305	305	900	465	465	320	5-9	927	86	2	1.8	0.3"
RB-1000-18	2042	194997	680	125	320	320	1000	515	515	350	5-70	1224	142.8	2	2	0.1"
RB-1120-18	2827	269997	600	135	350	350	1120	560	560	380	6-11	1584	231	2	2.2	0.1"
RB-1250-20	3613	344997	550	150	380	380	1250	610	610	420	6-11	2070	367.5	2	2.4	0.1"
RB-1400-20	5550	529999	490	175	440	440	1400	700	700	480	6-12	3060	693	2	2.7	0.1"
RB-1600-24	7854	749995	430	200	480	480	1600	770	770	540	6-12	3960	1155	2	3	0.1"
RB-1800-22	10210	974996	380	225	540	540	1800	870	870	600	8-16	5760	2205	2	3.4	0.1"
RB-2000-26	13614	1299997	340	250	600	600	2000	960	960	660	8-16	7020	3255	2	3.8	0.1"

☎ +91 98794 30132

☎ +91 96621 60816